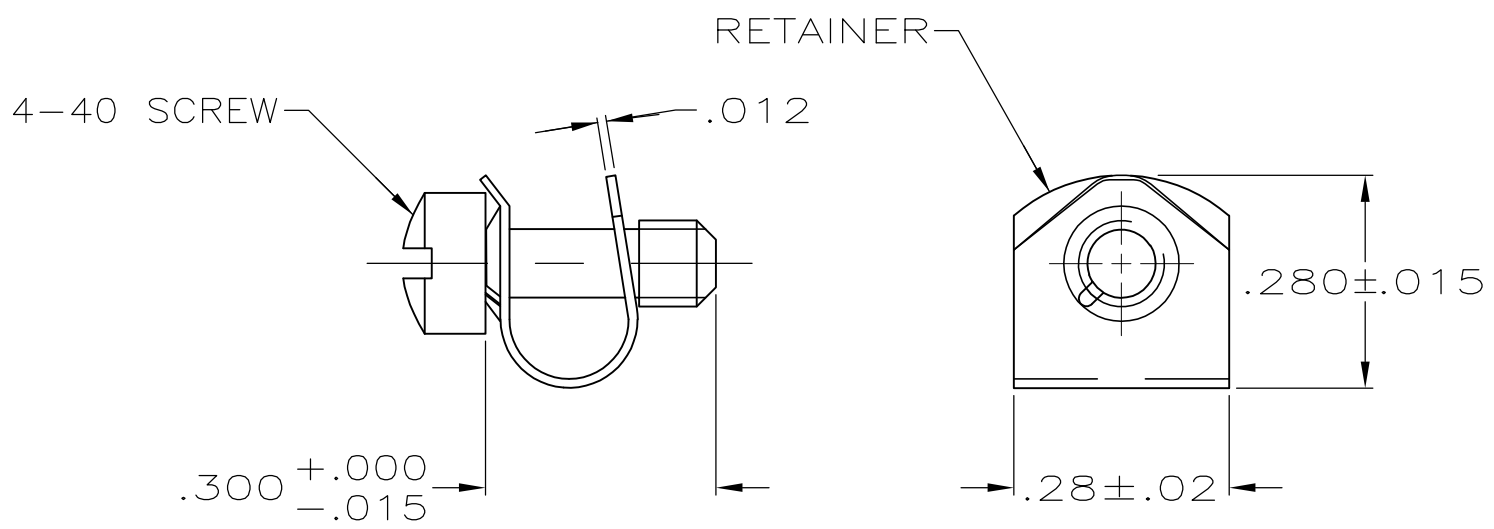


THIS DRAWING IS UNPUBLISHED. RELEASED FOR PUBLICATION
 © COPYRIGHT - By - ALL RIGHTS RESERVED.

LOC	DIST	REVISIONS			
P	LTR	DESCRIPTION	DATE	DWN	APVD
GP	00	A1	REVISED PER ECO-11-004835	11MAR11	RK HMR



- ① SCREW: CARBON STEEL.
RETAINER: STAINLESS STEEL.
- ② SCREW: ZINC PLATED .000200-.000400 THICK, CLEAR CHROMATE COATING.
- ③ 2 EACH PACKAGED UNASSEMBLED AS A UNIT KIT.
- ④ INDIVIDUALLY BULK PACKAGED UNASSEMBLED AND SHIPPED AS A UNIT PACKAGE.

④	5746881-2
③	5746881-1
PACKAGING	PART NUMBER

**COPYRIGHT 2005
 TE CONNECTIVITY CORP
 ALL RIGHTS RESERVED**

THIS DRAWING IS A CONTROLLED DOCUMENT.		DWN	J.GERACE	14OCT05	TE Connectivity													
DIMENSIONS: INCHES		CHK	C.ROHDE	14OCT05														
TOLERANCES UNLESS OTHERWISE SPECIFIED:		APVD	M.WALMSLEY	14OCT05														
<table border="0"> <tr> <td>0 PLC</td><td>± -</td></tr> <tr> <td>1 PLC</td><td>± -</td></tr> <tr> <td>2 PLC</td><td>± -</td></tr> <tr> <td>3 PLC</td><td>± .005</td></tr> <tr> <td>4 PLC</td><td>± -</td></tr> <tr> <td>ANGLES</td><td>± -</td></tr> </table>		0 PLC	± -	1 PLC				± -	2 PLC	± -	3 PLC	± .005	4 PLC	± -	ANGLES	± -	PRODUCT SPEC	NAME
0 PLC	± -																	
1 PLC	± -																	
2 PLC	± -																	
3 PLC	± .005																	
4 PLC	± -																	
ANGLES	± -																	
MATERIAL	FINISH	APPLICATION SPEC	RESTRICTED TO		SIZE	CAGE CODE	DRAWING NO											
①	②	WEIGHT	-		A3	00779	C-5746881											
CUSTOMER DRAWING			SCALE	4:1	SHEET	1 OF 1	REV A1											