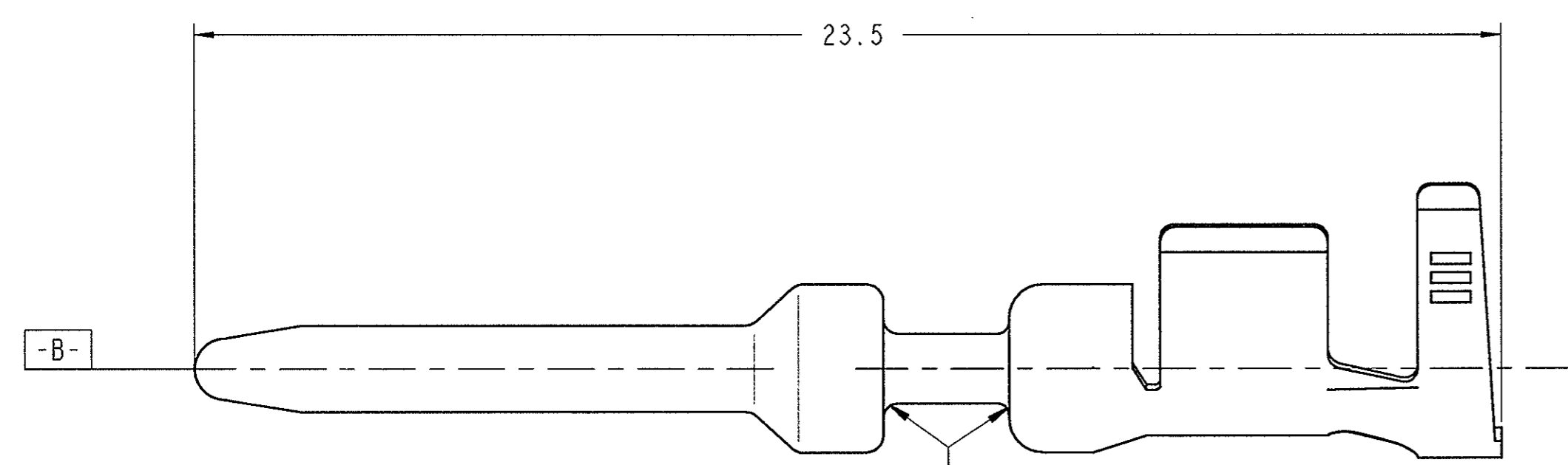


LOC	DIST	REVISIONS			
P	LYR	DESCRIPTION	DATE	DWN	APVD
A		EG00-2904-01	04OCT2001	SS	JE
A1		EG00-3314-01	08NOV2001	CLD	JE
A2		REVISED FOR ECR-06-018431	28SEPT2006	M. P.	R. M.



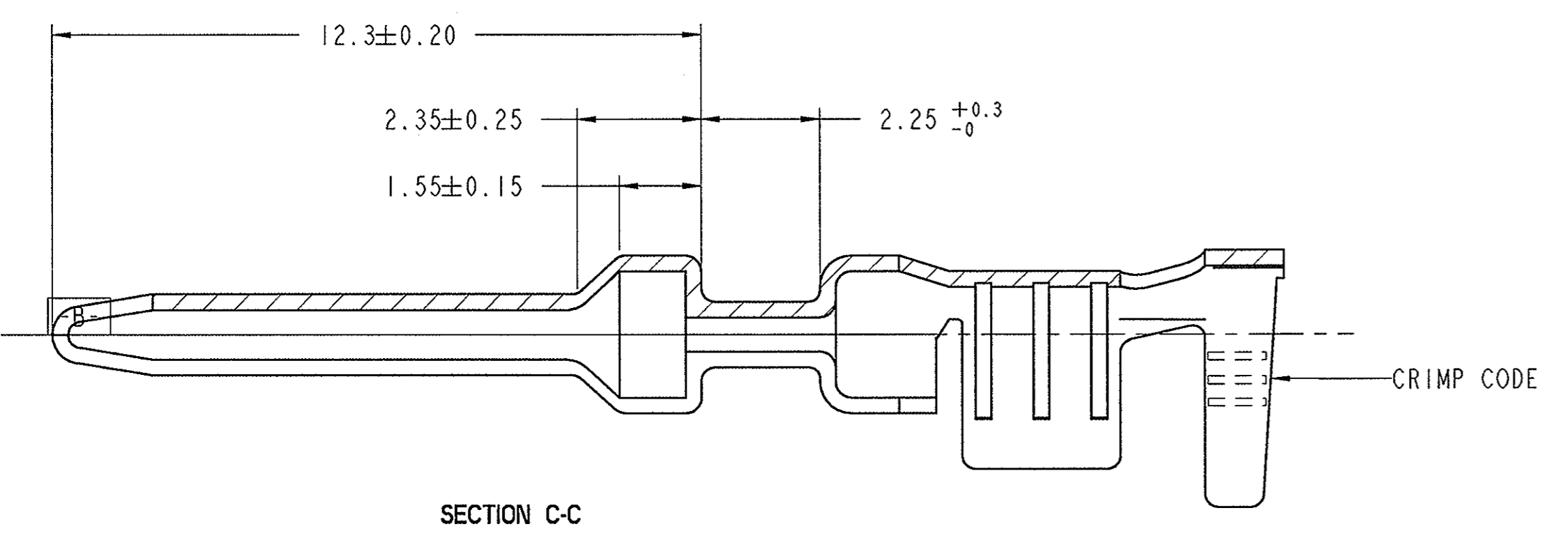
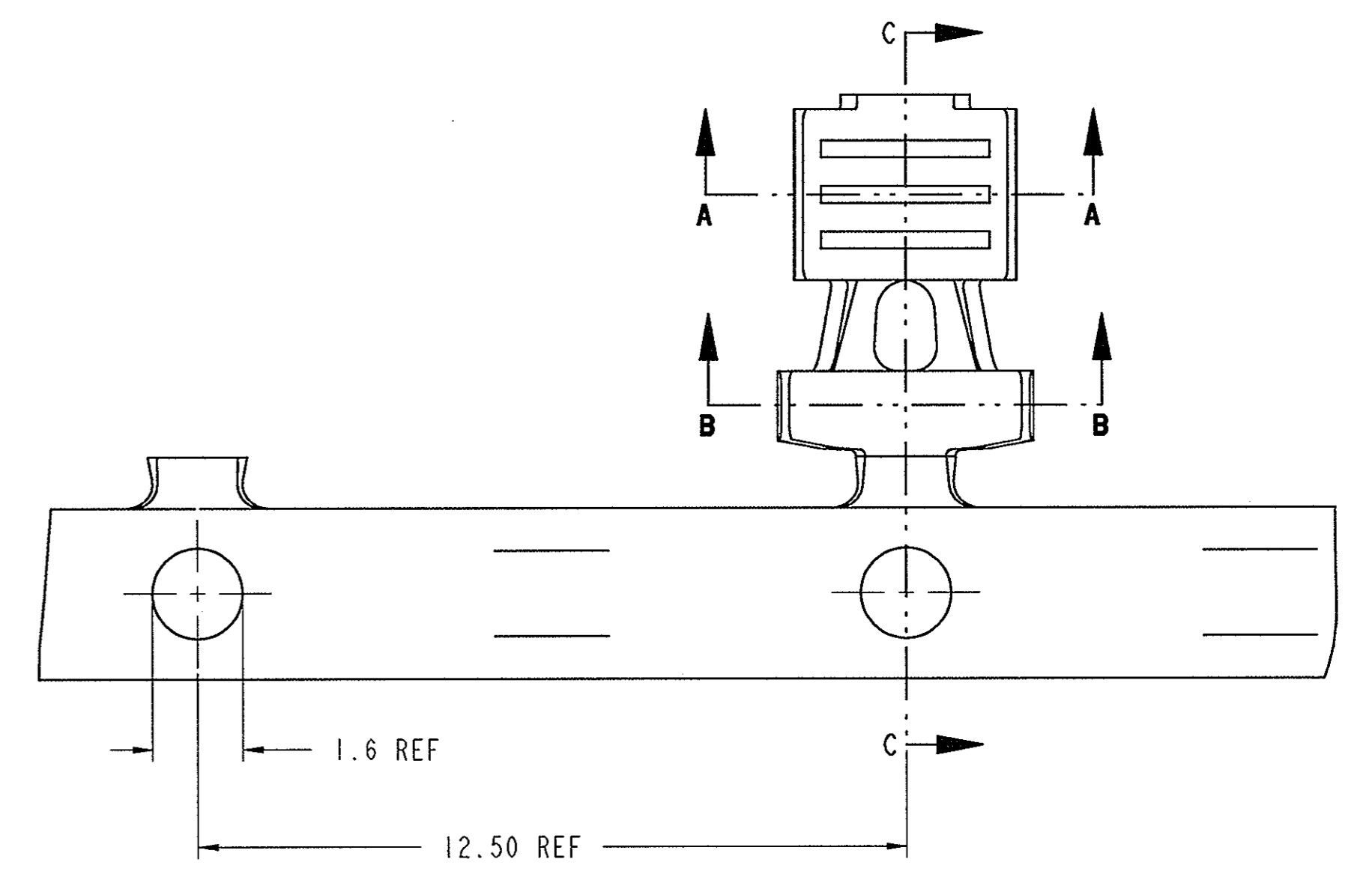
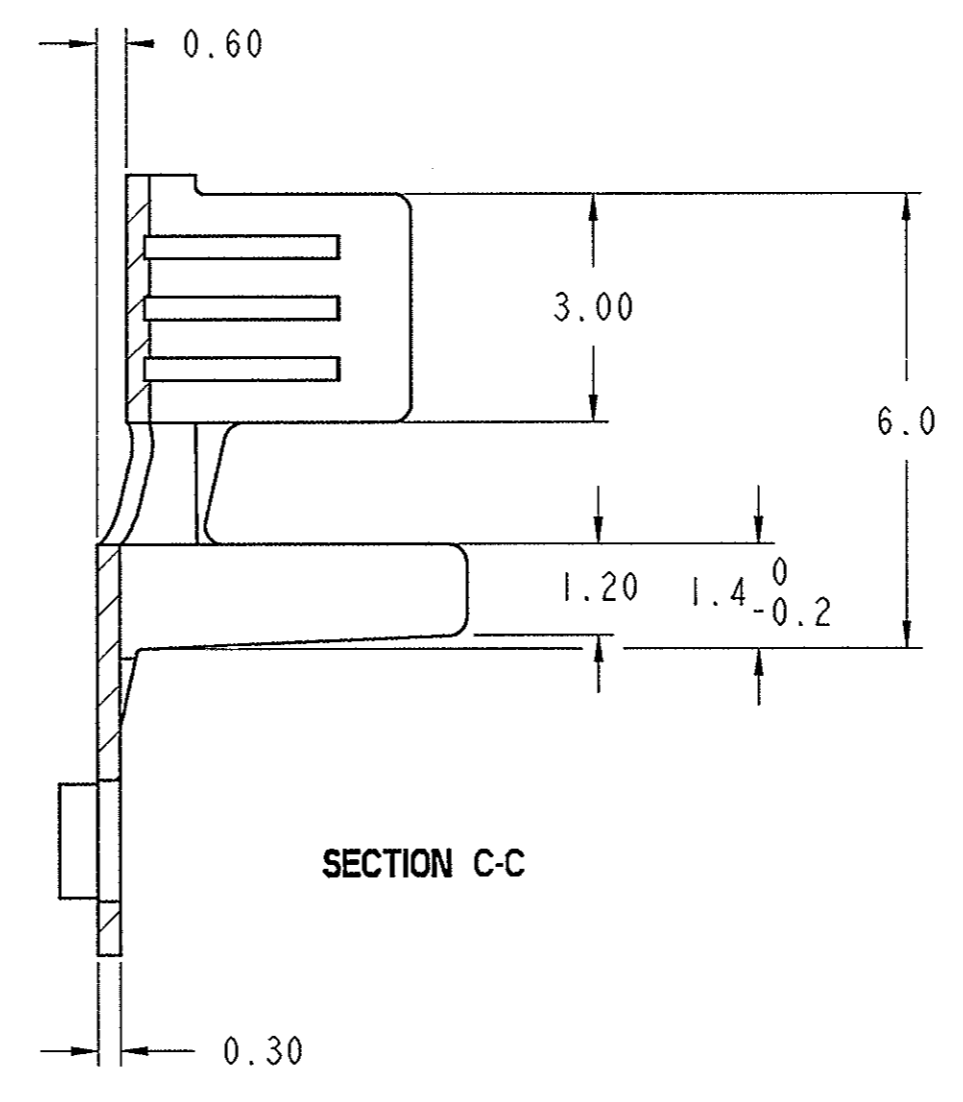
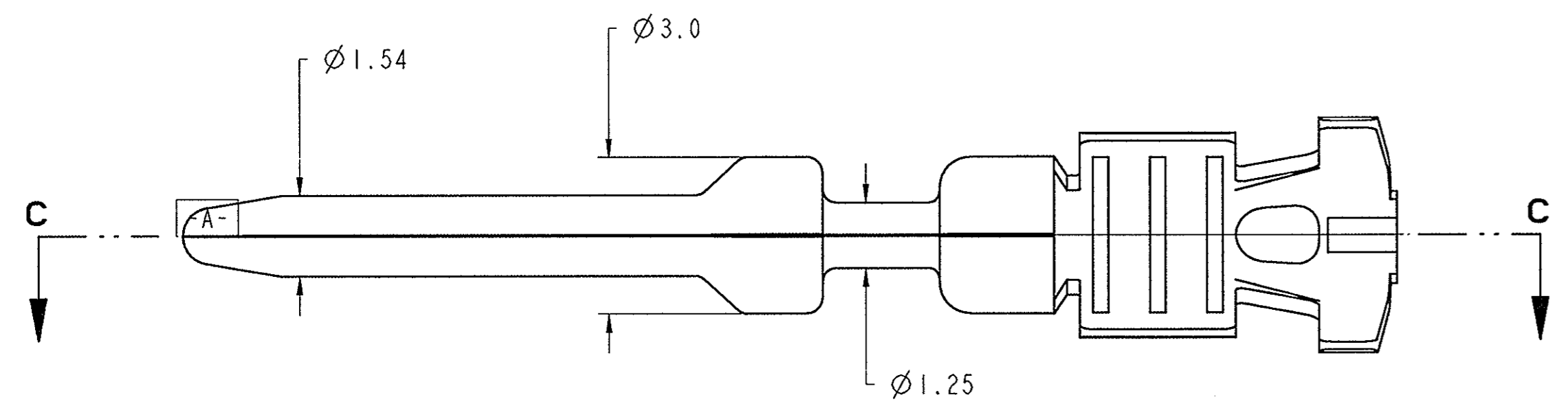
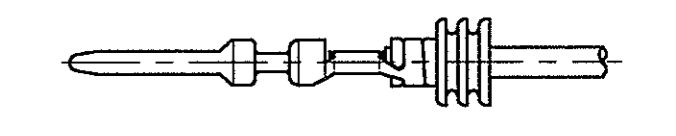
NECK DOWN AREA OF TERMINAL MUST NOT BREAK-OFF OR FRACTURE WHEN FRONT OF TERMINAL IS BENT IN ANY DIRECTION TO AN ANGLE OF 20° MIN. OFF THE CENTERLINE OF TERMINAL.

CRIMP TYPE	CRIMP AREA DIMENSION						CRIMP CODE	
	B <sub>c</sub>	D <sub>c</sub>	H <sub>c</sub>	B <sub>i</sub>	D <sub>i</sub>	H <sub>i</sub>		
I	c	3.70 ±0.15	1.80 REF	3.90 ±0.15	4.70 ±0.15	2.60 REF	4.90 ±0.15	
	b	2.60 ±0.15	1.20 REF	2.90 ±0.15	3.60 ±0.15	2.00 REF	4.00 ±0.15	
	d	2.00 ±0.15	0.80 REF	2.20 ±0.15	2.80 ±0.15	1.60 REF	3.00 ±0.15	

FULL SIZE VIEWS  
SCALE 1.000



FULL ASSY VIEW  
WATERPROOF  
SCALE 2.000

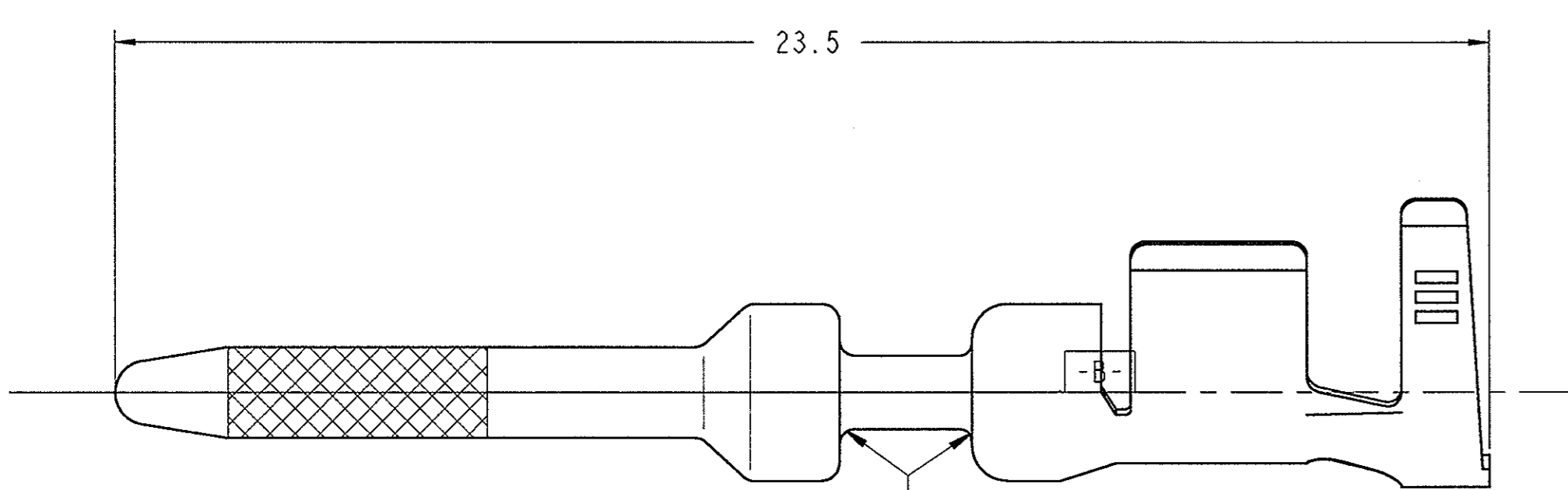


- 1 SUPERSEDES 2-1437709-2
- 2 SUPERSEDES 2-1437709-3
- 3 SUPERSEDES 2-1437709-4

PART AS SUPPLIED							COMPONENTS		MATERIALS	COMPONENTS SUPPLIED APART		TO FIT IN CAVITY	
P/N	DESCRIPTION	WATERPROOF	WIRE CROSS SEC. AREA	CRIMP CODE	CRIMP SPEC.	WEIGHT	TERMINAL	WIRE SEAL	TERMINAL	WIRE SEAL	TYPE	DESCRIPTION	
1-1437709-1	TERMINAL MALE TIN PLT.	YES	0.22-0.35mm <sup>2</sup>		AC/T/18/95	0.302gr.	I	SEE SHEET	DIN 17670 (CuSn6) TIN PLATED BRIGHT	1-1437713-1 (0.22-0.35) BLACK	AC/T/20/95	CAVITY TERMINAL MALE	
1-1437709-2	TERMINAL MALE TIN PLT.		0.50-1.00mm <sup>2</sup>			0.322gr.	I			1-1437713-2 (0.50-1.00) RED			
1-1437709-3	TERMINAL MALE TIN PLT.		1.50-2.50mm <sup>2</sup>			0.343gr.	I			1-1437713-3 (1.50) BLUE			
1-1437709-1	TERMINAL MALE TIN PLT.	NO	0.22-0.35mm <sup>2</sup>		AC/T/18/95	0.302gr.	I	NOT USED					
1-1437709-2	TERMINAL MALE TIN PLT.		0.50-1.00mm <sup>2</sup>			0.322gr.	I						
1-1437709-3	TERMINAL MALE TIN PLT.		1.50-2.50mm <sup>2</sup>			0.343gr.	I						

DIMENSIONS:		TOLERANCES UNLESS OTHERWISE SPECIFIED:		DWN: S. Storch 02OCT2001		tyco Electronics AMP GmbH	
mm		0 PLC ±0.3		CHK: J. Evans 08NOV2001		D - 64625 Bensheim	
		1 PLC ±0.1		APVD: J. Evans 08NOV2001		NAME: I,6 SYSTEM TERMINAL MALE TIN PLATED	
MATERIAL:		2 PLC ±		PRODUCT SPEC:		SIZE: CAGE CODE DRAWING NO. RESTRICTED TO	
		3 PLC ±		APPLICATION SPEC:		A1 00779 C-1418070	
		4 PLC ±		WEIGHT:		SCALE 10:1 SHEET 1 OF 2 REV A2	
		ANGLES FINISH		CUSTOMER DRAWING			

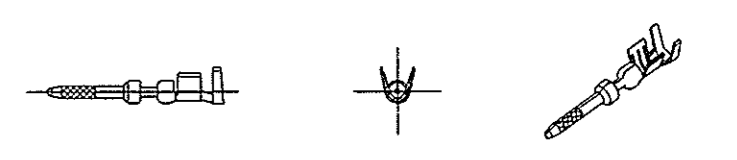
LOC	DIST	REV	DESCRIPTION	DATE	OWN	APVD
A1	-	-	- SEE SHEET 1 -	-	-	-



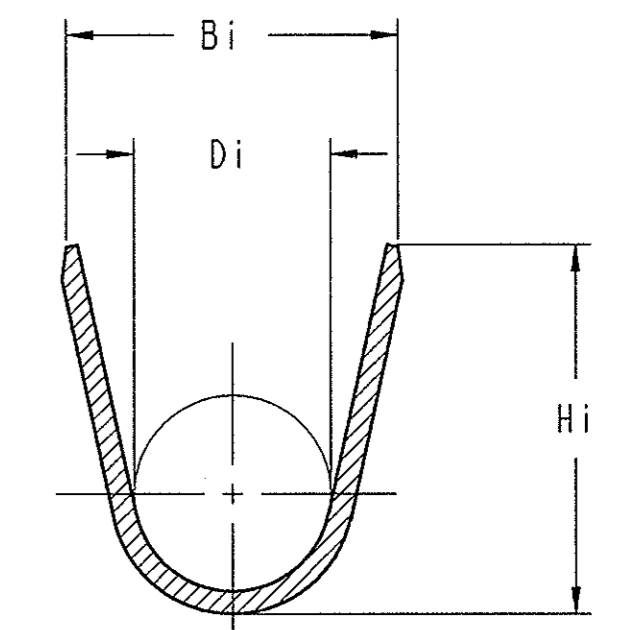
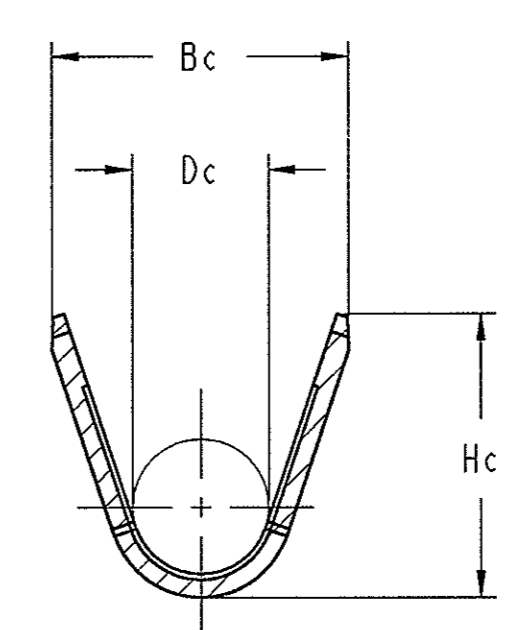
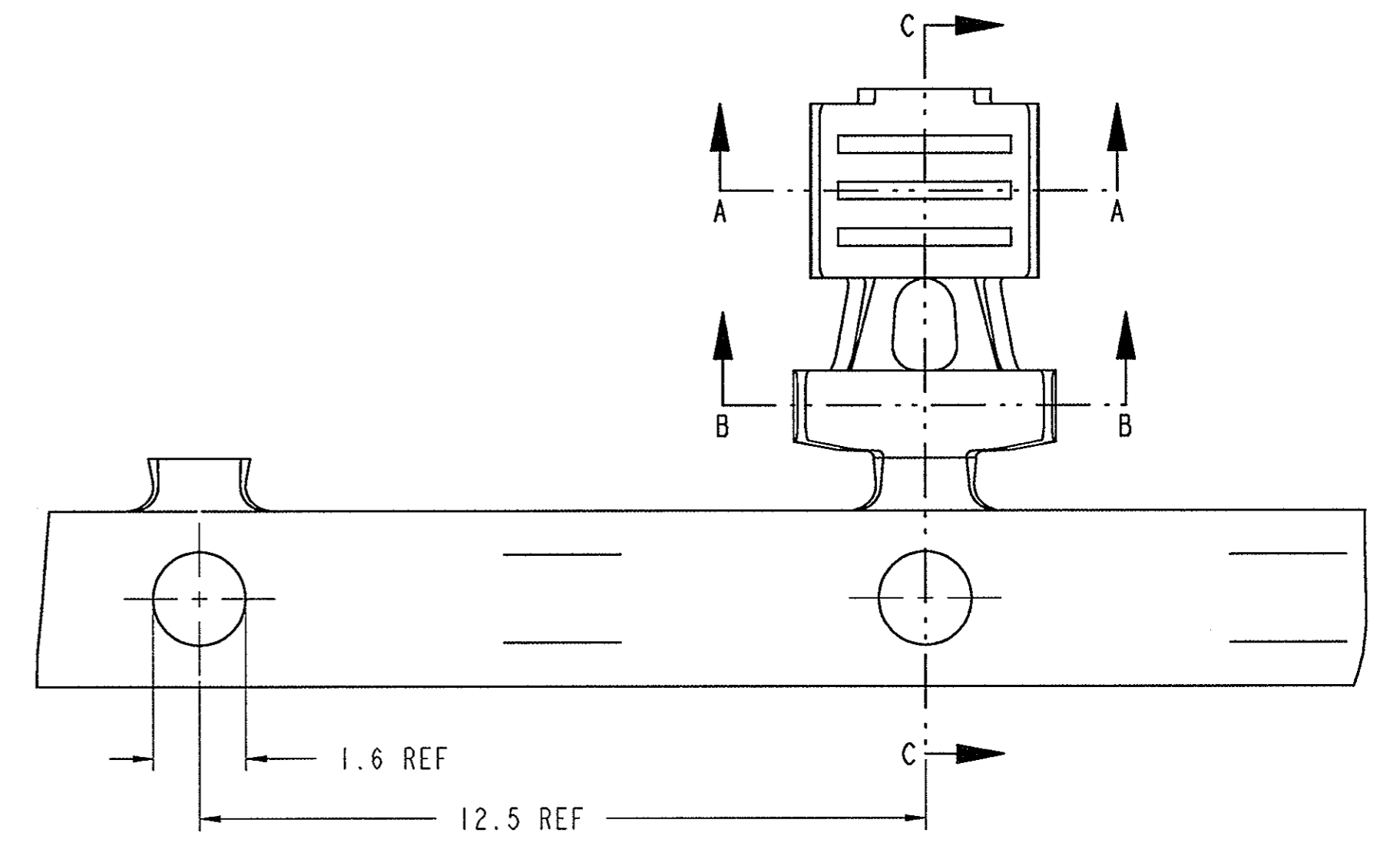
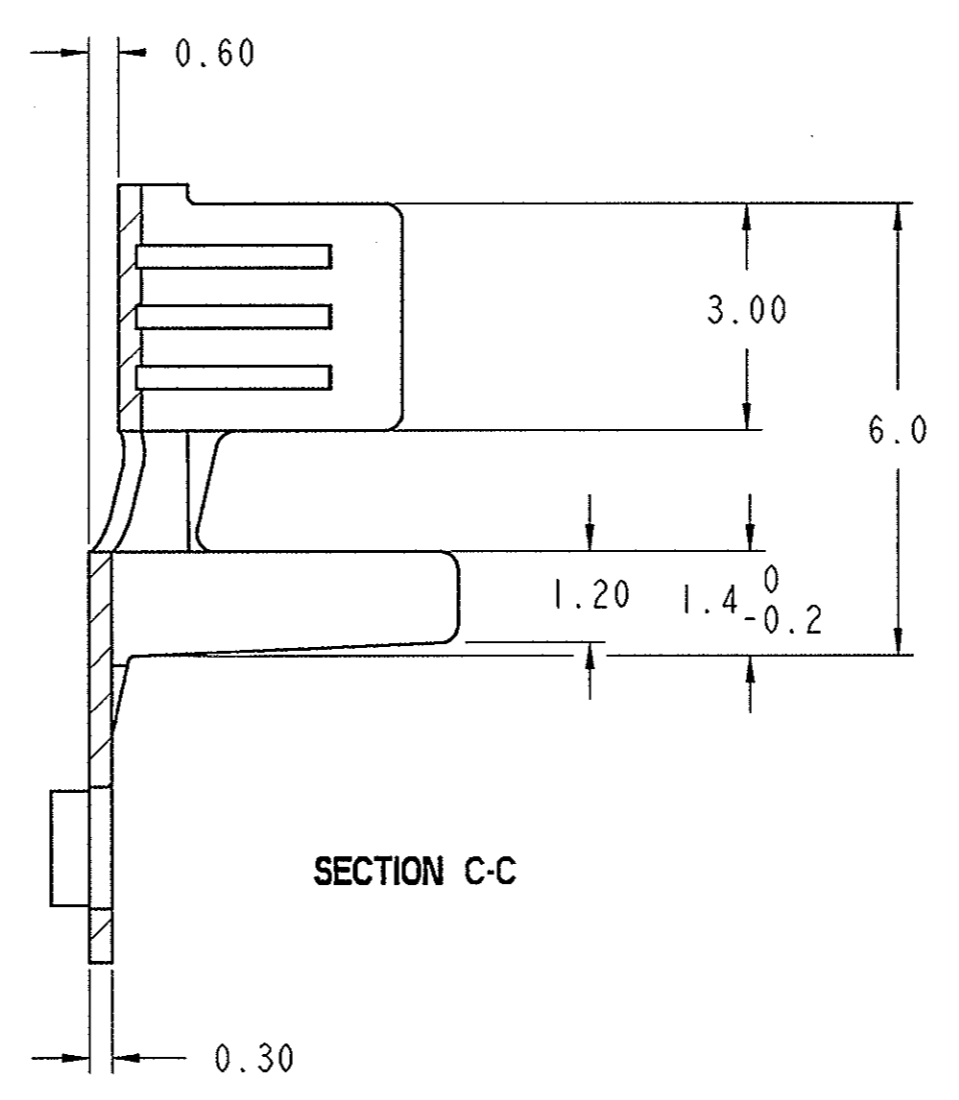
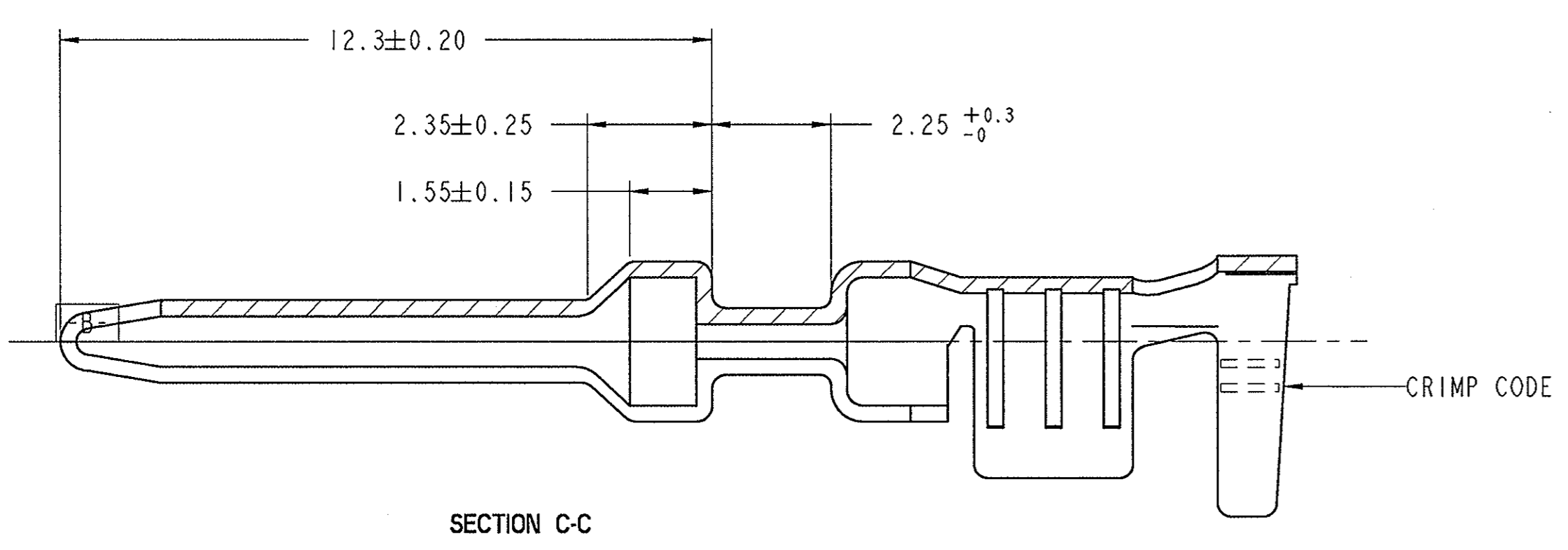
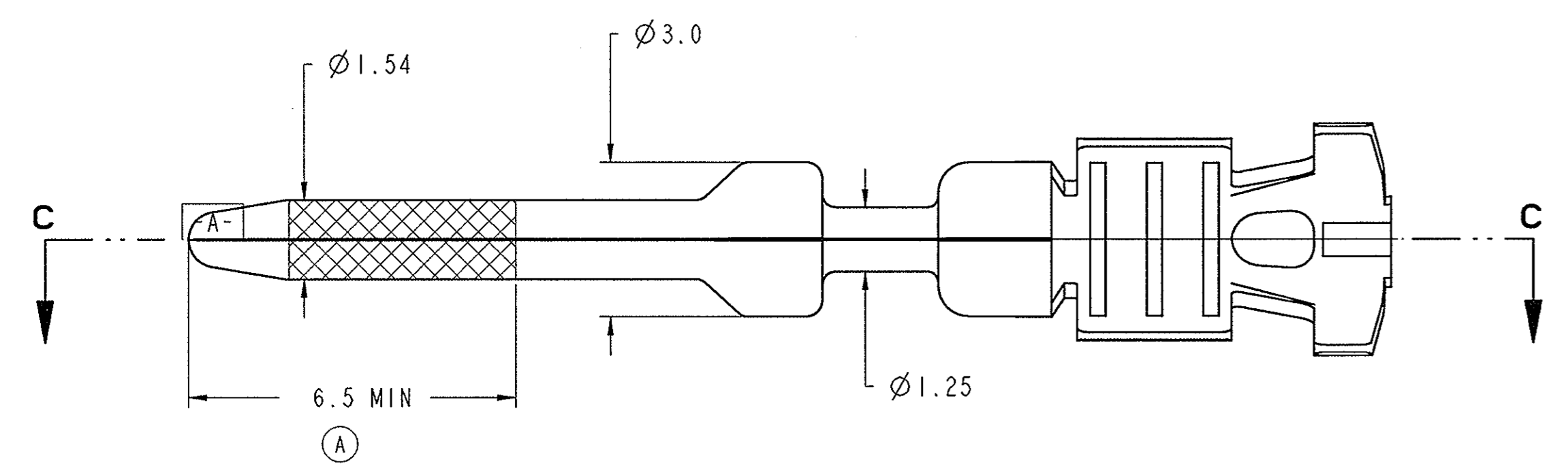
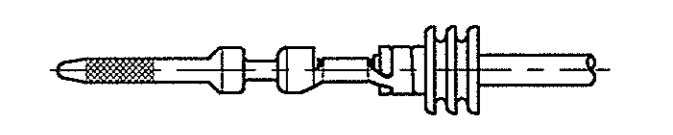
NECK DOWN AREA OF TERMINAL MUST NOT BREAK-OFF OR FRACTURE WHEN FRONT OF TERMINAL IS BENT IN ANY DIRECTION TO AN ANGLE OF 20° MIN. OFF THE CENTERLINE OF TERMINAL.

CRIMP TYPE	CRIMP AREA DIMENSION						CRIMP CODE
	Bc	Dc	He	Bi	Di	Hi	
c	3.70 ±0.15	1.80 REF	3.90 ±0.15	4.70 ±0.15	2.60 REF	4.90 ±0.15	
b	2.60 ±0.15	1.20 REF	2.90 ±0.15	3.60 ±0.15	2.00 REF	4.00 ±0.15	
a	2.00 ±0.15	0.80 REF	2.20 ±0.15	2.80 ±0.15	1.60 REF	3.00 ±0.15	

**FULL SIZE VIEWS**  
SCALE 1.000



**FULL ASSY VIEW WATERPROOF**  
SCALE 2.000



1 SUPSEDES I-1437709-8

PART AS SUPPLIED							COMPONENTS		MATERIALS	COMPONENTS SUPPLIED APART		TO FIT IN CAVITY	
P/N	DESCRIPTION	WATERPROOF	WIRE CROSS SEC. AREA	CRIMP CODE	CRIMP SPEC.	WEIGHT	TERMINAL	WIRE SEAL	TERMINAL	WIRE SEAL	TYPE	DESCRIPTION	
0-1437709-6	TERMINAL MALE GOLD PLT.	YES	0.22-0.35mm <sup>2</sup>		AC/T/18/95	0.302gr.	I	SEE SHEET	DIN 17670 (CuSn6) GOLD PLATED AT LOCATION	1-1437713-1 (0.22-0.35) BLACK	AC/T/20/95	CAVITY TERMINAL MALE	
0-1437709-7	TERMINAL MALE GOLD PLT.		0.50-1.00mm <sup>2</sup>			0.322gr.	I			1-1437713-2 (0.50-1.00) RED			
0-1437709-6	TERMINAL MALE GOLD PLT.	NO	0.22-0.35mm <sup>2</sup>		AC/T/18/95	0.302gr.	I	NOT USED	(A) TIN PLATED MATTE	1-1437713-3 (1.50) BLUE			
0-1437709-7	TERMINAL MALE GOLD PLT.		0.50-1.00mm <sup>2</sup>			0.322gr.	I						

TYCO ELECTRONICS CORPORATION  
 16 SYSTEM TERMINAL MALE GOLD PLATED

APVD: S. Storch, J. Evans  
 DATE: 08NOV2001

TYCO Electronics AMP GmbH  
 D - 64625 Bensheim

SIZE: A1  
 CAGE CODE: 00779  
 DRAWING NO: 1418070

SCALE: 10:1  
 SHEET: 2 OF 2  
 REV: A2